

NOTES:

1. ALL COMPONENTS FACTORY ASSEMBLED AND SHIPPED AS ONE COMPLETE ASSEMBLY.

REFERENCE DRAWINGS:

0013374-A0-002

SINISI
SOLUTIONS LLC
FIREBARRIEREXPERTS.COM

PROJECT:

FPL HEAT SHIELD

CLIENT:

SINISI SOLUTIONS LLC

TITLE:

OVERALL LAYOUT

SCALE: NTS

SIZE: B

DRAWN BY: R. V.

DATE: SEP 06, 2018

CHECKED BY: S. C.

DATE: SEP 06, 2018

APPROVED BY:

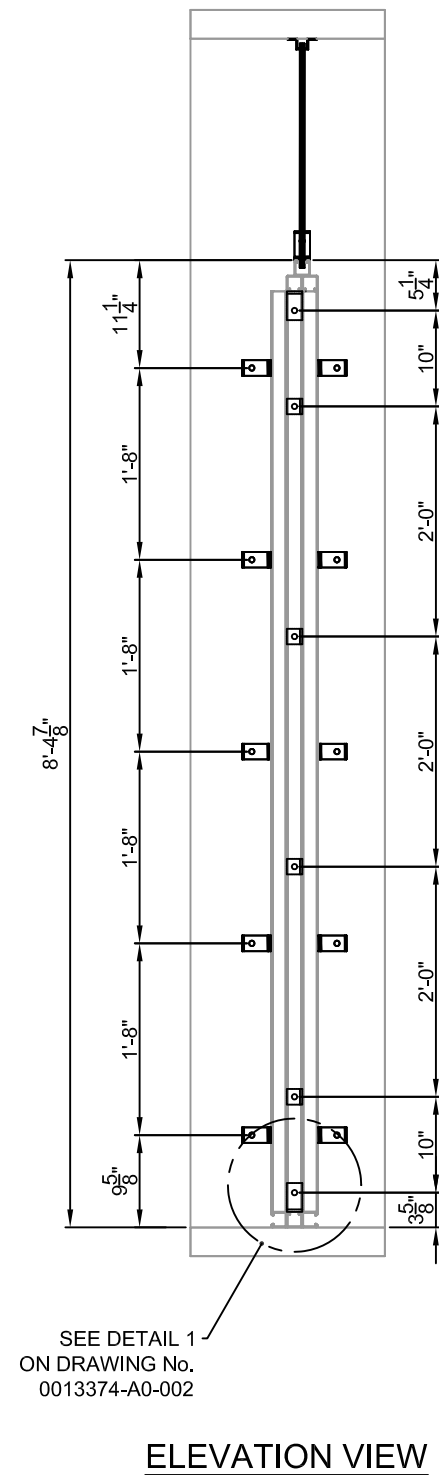
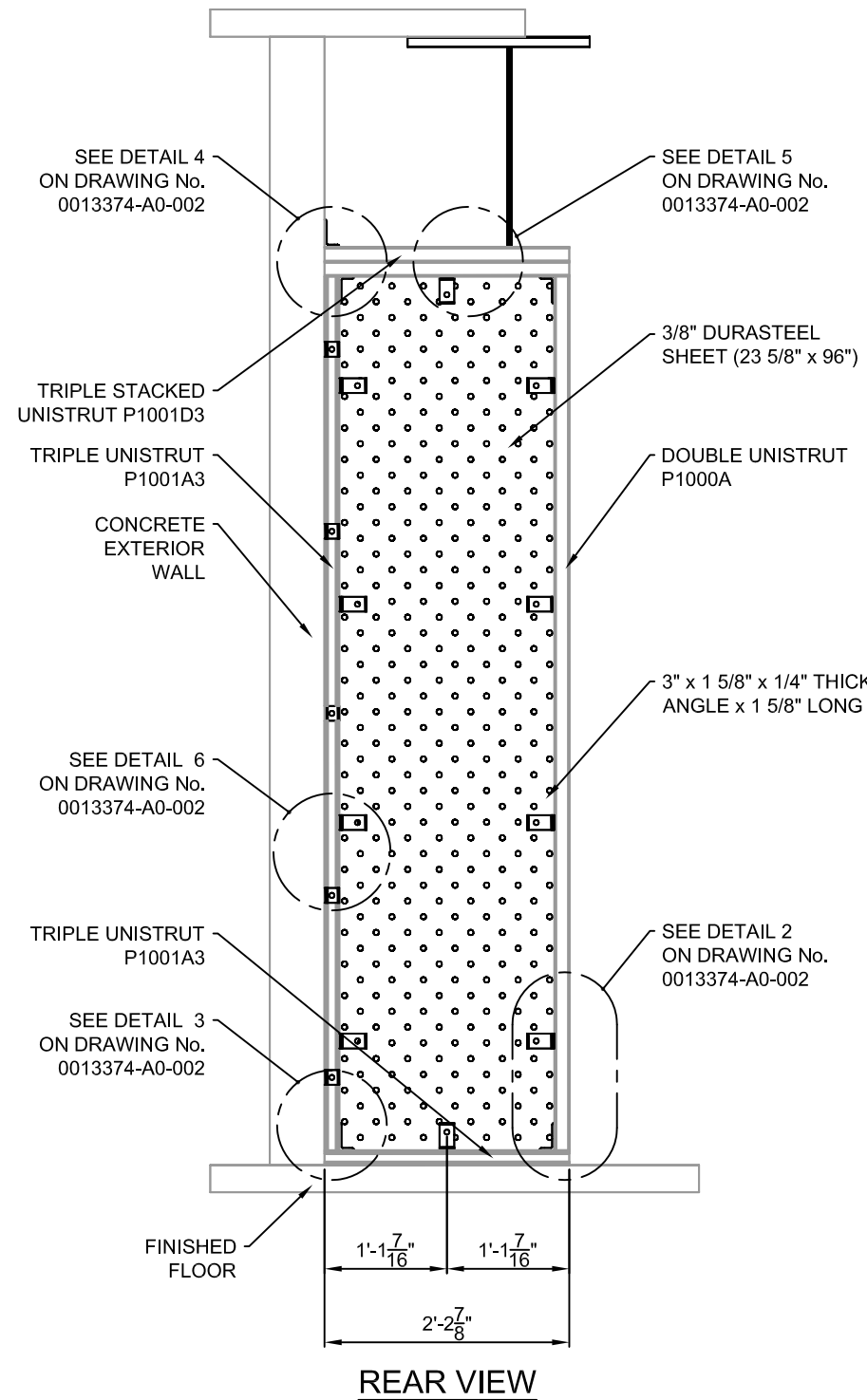
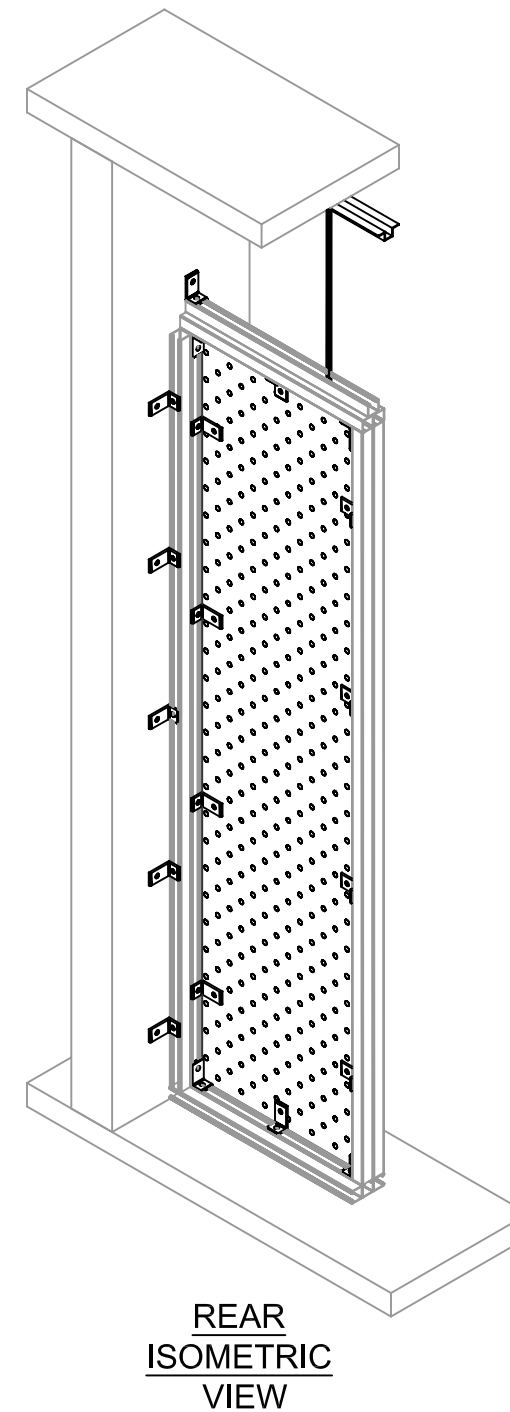
DATE:

DRWG. No.

0013374-A0-001

REV.

0

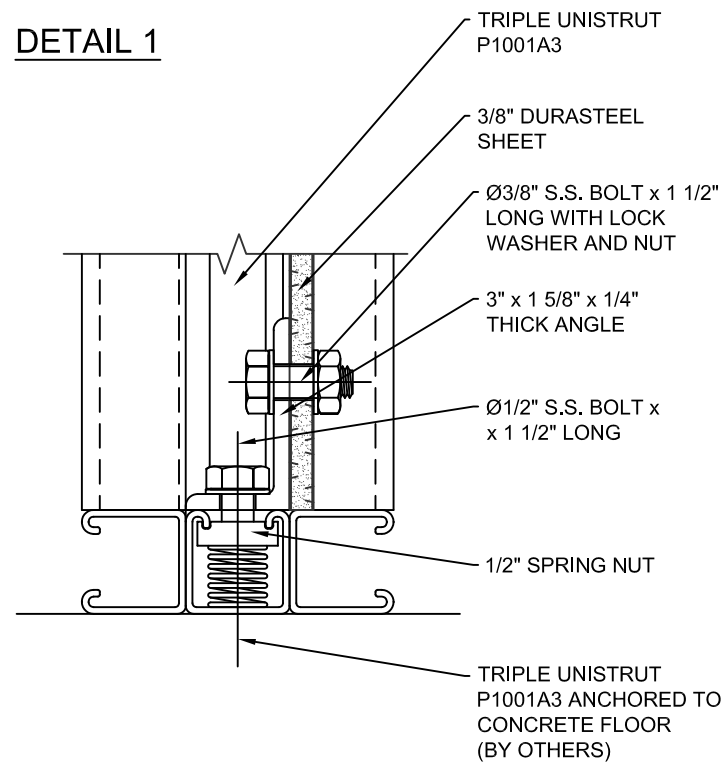


REVISION

0

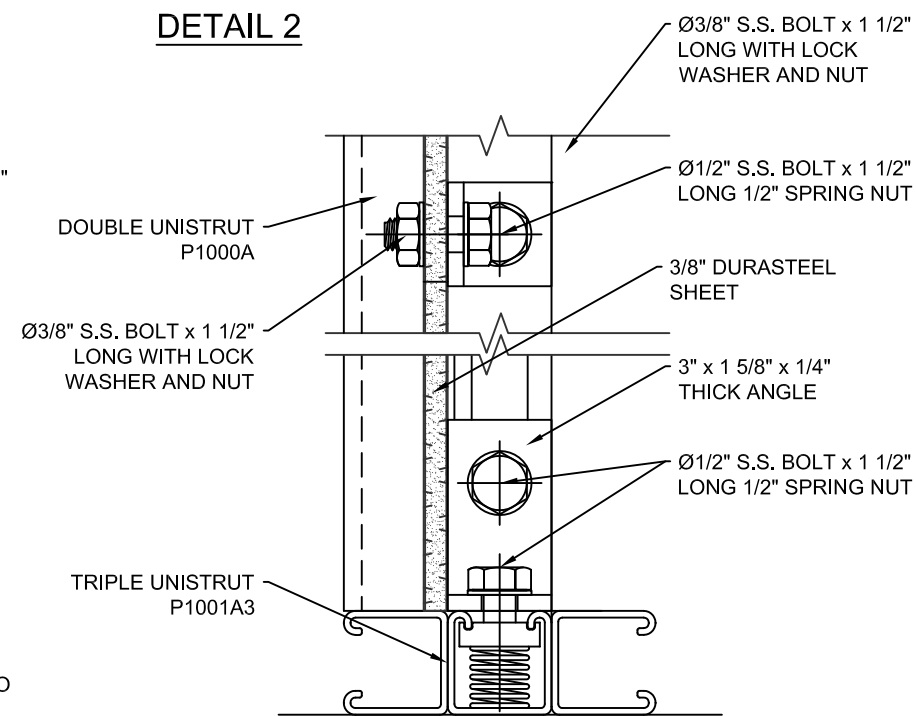
INITIAL ISSUE.

DETAIL 1



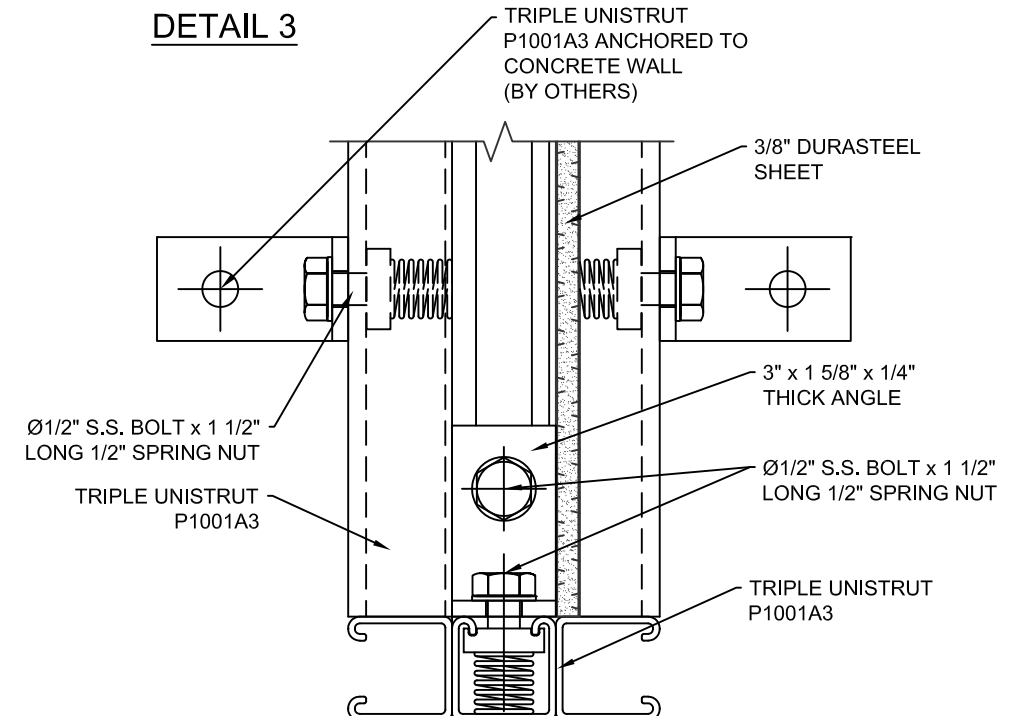
TRIPLE UNISTRUT AT FLOOR
ELEVATION VIEW

DETAIL 2



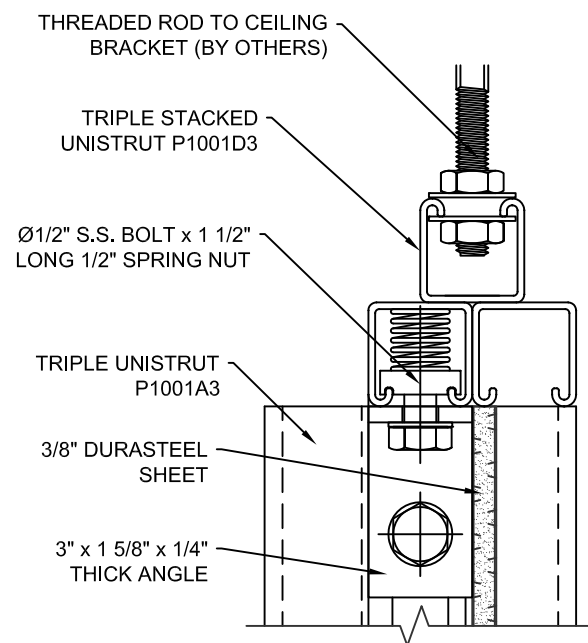
DOUBLE UNISTRUT AT SIDE
ELEVATION VIEW

DETAIL 3



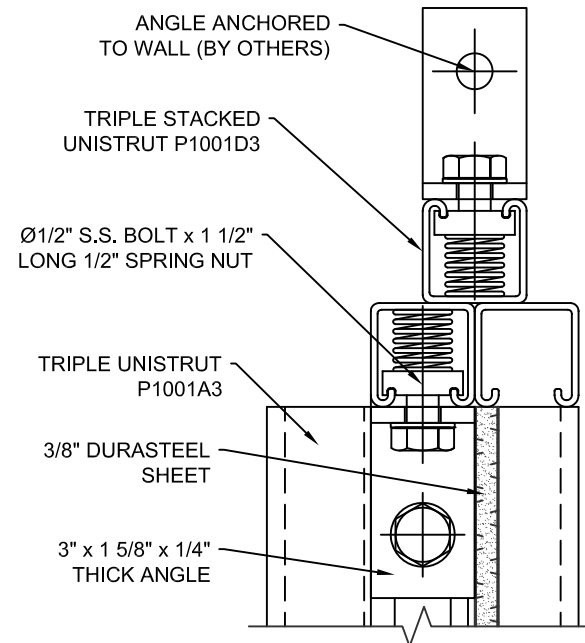
TRIPLE UNISTRUT AT WALL
ELEVATION VIEW

DETAIL 4



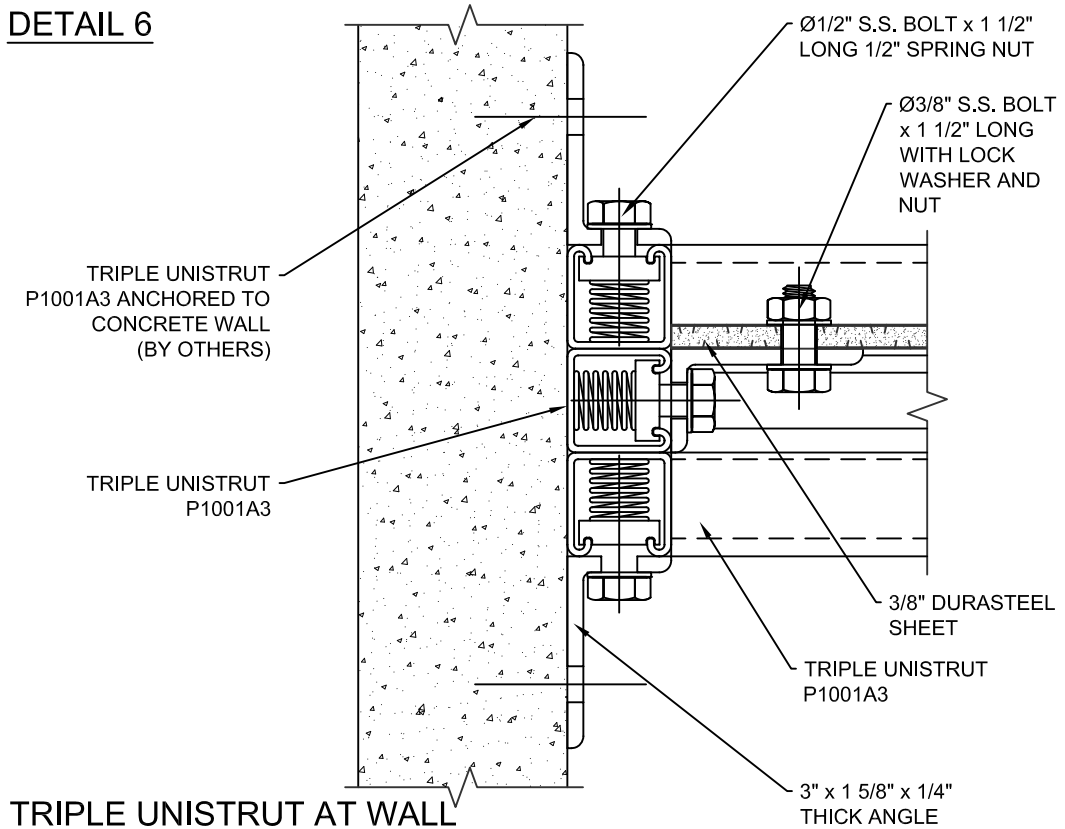
TRIPLE STACKED UNISTRUT AT TOP
ELEVATION VIEW

DETAIL 5



TRIPLE STACKED UNISTRUT AT TOP @ WALL
ELEVATION VIEW

DETAIL 6



TRIPLE UNISTRUT AT WALL
PLAN VIEW

NOTES:

REFERENCE DRAWINGS:

0013374-A0-001



PROJECT: **FPL HEAT SHIELD**

CLIENT: **SINISI SOLUTIONS LLC**

TITLE: **DETAILS LAYOUT**

SCALE: NTS SIZE: B

DRAWN BY: R. V. DATE: SEP 06, 2018

CHECKED BY: S. C. DATE: SEP 06, 2018

APPROVED BY: DATE:

DRWG. No. **0013374-A0-002** REV. **0**

0	REVISION
	INITIAL ISSUE.